

Zocca electric basic

Model / Modelo / Modèle / Model

BASIC 500

EN

INSTRUCTIONS & INSTALLATION GUIDE

Page 02

FR

MANUEL D'INSTALLATION ET D'UTILISATION

Page 26

ES

MANUAL DE INSTALACIÓN Y USO

Página 10

NL

INSTALLATIE- EN GEBRUIKERSHANDLEIDING

Bladzijde 34

PT

MANUAL DE INSTALAÇÃO E UTILIZAÇÃO

Página 18



Installation & safety precautions (EN 60335 Standards)

Before switching on the product, please read the "Installation & Safety Precautions" in detail first to ensure the correct operation of the product.

Installation precautions

The product is designed for household or residential use. You are advised to have the product installed by an authorized professional installer. Make sure the product is properly connected to 230V.

ATTENTION

Children under 3 years of age should be kept out of reach of the appliance unless continuously supervised. Children from the age of 3 years to 8 years should only switch the appliance on/off when it has been placed or installed in its normal intended use position and when they have been given supervision or instruction concerning use of the appliance in a safe way and understand the hazards involved. Children from 3 years of age to 8 years of age should not plug in, adjust or clean the appliance or carry out maintenance operations.

This appliance can be used by children aged from 8 years and above and persons with reduced physical sensory or mental capabilities or lack of experience and knowledge if they are supervised or have been given instruction concerning use of the appliance in a safe way and understand the hazards involved. Children should not play with the appliance. Cleaning and user maintenance should not be carried out by children without supervision. Children must be supervised at all times to ensure that they do not interfere with the product.

This product is filled with a precise amount of special oil that does not need any maintenance. Any repairs requiring the opening of the oil tank must only be done by an official Rointe installer or its after-sales service personnel, who should also be notified should an oil leak be noticed. The regulations on discarding oil when the heater is being disposed of must be observed.

Do not cut the power supply cable under any circumstances in order to avoid electrical risks and to guarantee the correct operation of the towel rail.

Do not switch on the product if you notice any external damage when unpacking or installing the towel rail. If the power cable is damaged, it must be replaced by the manufacturer, its after-sales service or authorized personnel in order to avoid any damage.

Do not spray or wet the product. During operation, keep the product away from combustible materials such as curtains, furniture, etc. Do not place anything other than clothes, towels or non-flammable fabrics on the product.

The towel rail must be installed in such a way that the power plug is always accessible. The power cable must never be in contact with the product during operation.



CAUTION - Never touch the product with wet hands or any wet body parts.



CAUTION - Some parts of this product may become very hot and cause burns. Particular care should be taken when children and vulnerable persons are present.

Contents

1. Technical Specifications.....4

2. Product Installation.....5

 2.1. Mounting.....5

 2.2. Connecting instructions.....5

 2.3. Specific regulations for bathrooms.....6

3. Switch on & off (stand-by).....7

4. Maintenance & Cleaning.....7

5. Guarantee.....7

6. How to register your guarantee.....9

1. Technical specifications

| MODEL - Width 500 | WHITE | TZOC*50B078 | TZOC*50B110 | TZOC*50B142 | TZOC*50B174 |
|---------------------------------|------------------|----------------|-------------|-------------|-------------|
| | CHROME | TZOC*50C078 | TZOC*50C110 | TZOC*50C142 | TZOC*50C174 |
| | GRAPHITE | TZOC*50N078 | TZOC*50N110 | TZOC*50N142 | TZOC*50N174 |
| DIMENSIONS | | | | | |
| Width (mm) | | 500 | 500 | 500 | 500 |
| Height (mm) | | 788 | 1,106 | 1,424 | 1,742 |
| Depth (mm) | | 65 | 65 | 65 | 65 |
| Installed depth (mm) | | 100 | 100 | 100 | 100 |
| MECHANICAL CHARACTERISTICS | | | | | |
| Stainless steel heating element | | ✓ | ✓ | ✓ | ✓ |
| Thermal fluid | | ✓ | ✓ | ✓ | ✓ |
| Finish | | White RAL 9016 | | | |
| | | Chrome | | | |
| | | Graphite | | | |
| ELECTRICAL CHARACTERISTICS | | | | | |
| Nominal power (W) | White / Graphite | 300 | 500 | 750 | 1,000 |
| | Chrome | 300 | 300 | 500 | 750 |
| Voltage (V) | | 230 V ~ | 230 V ~ | 230 V ~ | 230 V ~ |
| Current (A) | White / Graphite | 1.3 | 2.2 | 3.4 | 4.4 |
| | Chrome | 1.3 | 1.3 | 2.2 | 3.4 |
| Class II | | ✓ | ✓ | ✓ | ✓ |
| SAFETY & INSTALLATION | | | | | |
| Installation kit included | | ✓ | ✓ | ✓ | ✓ |
| Protection grade | | IP 55 | IP 55 | IP 55 | IP 55 |

2. Rointe towel rails installation

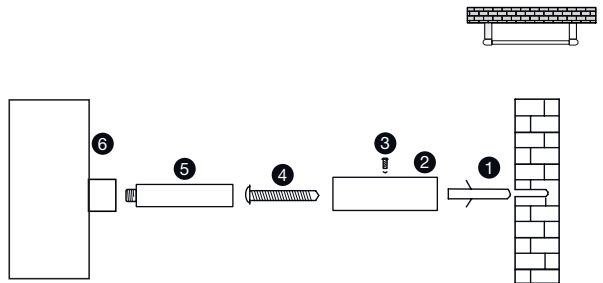
2.1. Mounting instructions

Inside the packaging you will find a fixing kit. Please find the instructions below:

Inside the box/packaging you will find a mounting kit:

1. Choose the right part of the wall.
2. Place the mounting stencil on the wall, marking the places for the holes.
3. Remove the stencil and make the holes in the wall.
4. Insert the rawl plugs in the holes made.
5. Screw the four metallic fasteners to the wall with the 6.3 x 50 mm screw.
6. Screw the four metallic cylinders to the product (see Figure 1).
7. Insert what you have assembled in Section 6 into the metallic fastener and fix well with the 2.9 x 9.5 mm stud bolt.

| NO. | ELEMENT |
|-----|---------------------|
| 1 | 10 mm Rawl Plug |
| 2 | 2 Metallic fastener |
| 3 | Screw 2.9 x 9.5mm |
| 4 | Screw 6.3 x 50mm |
| 5 | Metallic cylinder |
| 6 | Product |



2.2. Connecting instructions

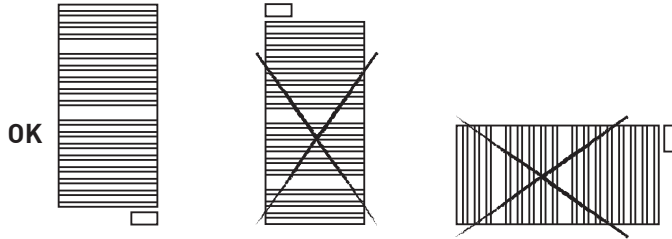
Connection to the mains must be made observing the voltage stated on the product technical data label.

This product is designed to be permanently installed connected to fixed facilities. The product power supply circuit must have an all-pole circuit breaker switch with a separation of at least 3 mm between the contacts.

The product must be installed, if possible, away from any source of draughts (windows, doors) or any other thing which may affect its functioning. In this way, the temperature will not be affected. Place any object which might prevent the air flow (furniture, armchairs) 50 cm away from the front of the product.

The product must never be installed immediately below a power point. The lower part of the control panel must be placed at least 15 cm from the floor.

For any product, if the power cable is damaged, it must be replaced by a specific cable. The replacement of the cable must be done by the Rointe after-sales service or qualified personnel. The technical specifications of your product appear on the technical data label.

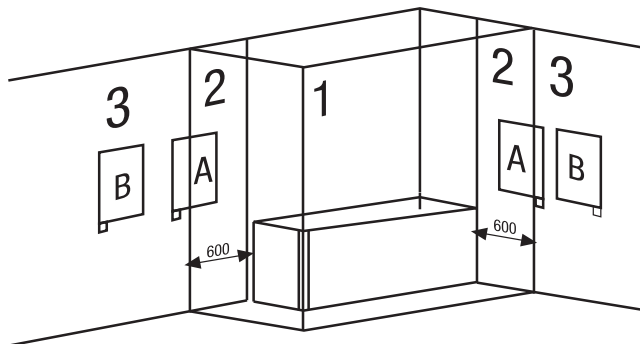


IMPORTANT - This product must never be installed with its control panel at the top. This product must not be installed horizontally. During installation, use wedges so that the control panel will not be in contact with the floor.

2.3. Specific Regulations for Bathrooms

This product can be safely installed in Zones 3. For installations in Zones 2 (check the scheme below), please consider the following limitations:

- In bathrooms, the product must never be installed in such a way that the control panel may be touched by someone in the bathtub or having a shower. The control panel should be located at least 600 mm distance from any wet areas. The body of the product can be placed in Zones 2 if the control panel is located inside Zone 3.
- In a kitchen or bathroom, the body of the product must be placed at least 25 cm from the floor.



3. Switch on & off

To switch the product on, connect the plug to a mains socket. To switch it off, disconnect it from the socket.

4. Maintenance & Cleaning

The product does not require any type of maintenance. We recommend that all parts of the product are kept clean (behind, underneath, upper fins, etc.). Do not use any abrasive product on the steel main body. Clean it with a damp cloth and a pH neutral soap, and the control panel with a dry cloth.

European Directive 2012/19/UE

Under the European Directive 2012/19/UE on waste electrical and electronic equipment (WEEE), the product cannot be disposed in the usual council bins and containers. They must be separated to optimize the recovery and recycling of all of the components and materials and reducing the impact to human health and the environment. The symbol of the container crossed out over a horizontal line is marked on all of Rointe products to remind the consumer of the obligation to separate them on disposal.

The consumer should contact the local authority or original point of sale to learn more about the correct disposal of this product.

5. Guarantee

In this section, we hereby describe the guarantee conditions which the buyer acquires on buying a new Rointe product. These conditions comply with all the rights construed in the national legislation in force, as well as any additional rights and guarantees which are offered by Rointe.

5.1. Any incident that you might detect in your Rointe product can be sorted by the product seller or quickly by the manufacturer. Please contact Rointe by telephoning **(UK) 0203 321 5929 or (Ireland) 01 553 0523** for technical support. If you live in a different country, please check the correct phone number on the back of this manual.



You will need to state the product reference (located on the label indicating product features), serial number, proof of purchase and the type of incident at hand when contacting us so that we can check the guarantee. In addition, please attach a copy of the product invoice.

5.2. Rointe guarantees that there are no material defects of design or manufacture at the time of original acquisition and guarantees the steel main body for a period of 120 months and 24 months for

any electronic and electrical components.

5.3. If during the guarantee period, the product does not work correctly under normal use, and any design, material or manufacturing defect is found, Rointe will repair or substitute the product as it may see fit, in accordance with the terms and conditions as follows:

5.3.1. The guarantee is only applicable if the original guarantee is issued by the seller and when the said guarantee is filled in correctly including product reference, series number (marked on the product's label indicating technical features), purchase date and the seller's stamp.

Rointe reserves the right to reject the guarantee service when this information has been removed or modified after the original product purchase.

5.3.2. The guarantee only applies to those cases that concern material, design and manufacturing defects, and under no circumstances covers damage to the product for the following reasons:

5.3.2.1 Incorrect use of the product, i.e. used for other purposes that are not construed as its normal use or for not respecting the instructions of use and maintenance given by Rointe as well as incorrect installation or use of the product that may not comply with the current technical standards of safety.

Corrosion caused by direct exposure to salt water is excluded from the guarantee. When the product is installed no more than 200m from the coast the guarantee for damages caused by corrosion the period will be reduced by 50%.

5.3.2.2 Any unauthorized repairs carried out by unauthorized technicians or opening of the product by unauthorized people.

5.3.2.3 Any accidents that are deemed outside the control of Rointe, such as lightning, fires, floods, public disorders, etc.

5.3.3. Any repairs or substitutions that are included in this guarantee do not allow any additions or new periods of guarantee.

5.3.4. Any repairs or substitutions covered under this guarantee must be parts that are functionally equivalent. The defective parts or parts removed or replaced shall become the property of Rointe.

5.4. The technical service of Rointe will advise you if you need to buy any parts not covered under the guarantee or out of guarantee.

5.5. This guarantee does not affect the buyer's legal rights stipulated in the current national legislation, nor affects those rights against the distributor or installer that could come forth in compliance with the purchase contract.

5.6. In the absence of a national legal legislation applicable, this guarantee shall prevail and may be construed as the buyer's only protection. Rointe, its offices, distributors and installers may not be held responsible for any accidental damage that emerges due to infringement of any rules implicitly related to this product.

6. How to register your product guarantee

IMPORTANT: It's important to register your ROINTE product as part of our guarantee service, in case you wish to make a claim.

You can register your ROINTE product in the following ways:

WEBSITE

1. Go to www.rointe.com/uk/register-your-guarantee/.
2. Login to your existing account or create a new account if you need to.
3. Click on "My products".
4. Enter your **product reference** (alphanumeric and in upper case).
5. Enter your **serial number** (26 digits located on the metal tag on your product and starts with 843).
6. Upload your **proof of purchase**, such as invoice in PDF, JPEG or PNG format. This is not mandatory but by doing so you ensure your guarantee period is accurate.
7. Click "Register".
8. **Congratulations! Your product is now registered.**

EMAIL

1. Send an email to support@rointe.co.uk with the following information:
 - **Customer name**
 - **Address and postcode**
 - **Telephone number and email address**
 - **Product reference** (as described above)
 - **Serial number** (as described above)
 - **Product purchase date and proof of purchase** (as described above).
2. Our Technical Support team will confirm your product registration and request any additional information needed via email.

POST

1. Post the information listed in the EMAIL section above to:
 - **INDUSTRIAS ROYAL TERMIC, S.L. t/a Rointe UK, C/E Parcela 43, 30140, Santomera (SPAIN)**
2. Please ensure you obtain proof of posting.

Precauciones de instalación y de seguridad (EN 60335 Standards)

Antes de encender el producto léase el apartado de “precauciones de instalación y de seguridad” detenidamente para asegurar el funcionamiento correcto del producto.

Precauciones de instalación

Este producto está diseñado para uso doméstico o residencial. Se recomienda que el producto sea instalado por un profesional autorizado. Asegúrese de que el producto esté conectado correctamente a 230V.

ATENCIÓN

Los niños menores de 3 años deben mantenerse fuera del alcance del aparato a menos que estén continuamente supervisados. Los niños de 3 a 8 años sólo deben encender y apagar el aparato cuando se haya colocado o instalado en su posición normal de uso y cuando se les haya supervisado o instruido sobre el uso del aparato de forma segura y comprendan los peligros que conlleva. Los niños de 3 a 8 años no deben enchufar, ajustar o limpiar el aparato ni realizar operaciones de mantenimiento. Este aparato puede ser utilizado por niños a partir de 8 años y por personas con capacidades físicas, sensoriales o mentales reducidas o con falta de experiencia y conocimientos, siempre que estén supervisados o hayan recibido instrucciones sobre el uso del aparato de forma segura y entiendan los peligros que conlleva. Los niños no deben jugar con el aparato. La limpieza y el mantenimiento del usuario no deben ser realizados por los niños sin supervisión. Los niños deben ser supervisados en todo momento para asegurarse de que no interfieren con el producto.

Este producto de calefacción se rellena con una cantidad precisa de aceite especial que no necesita mantenimiento. Las reparaciones que necesitan la apertura del depósito de fluido térmico no deberán efectuarse más que por Rointe o su servicio posventa. Las reglamentaciones concernientes a la eliminación de este fluido después de que el aparato calefactor sea desechado deben ser respetadas. Si el cable de alimentación está dañado, debe ser reemplazado por el fabricante, su servicio posventa o personal cualificado para evitar daños.

No corte el cable de alimentación bajo ningún concepto con el fin de evitar riesgos eléctricos y garantizar el correcto funcionamiento del producto.

No encienda el secatoallas si observa algún daño externo al desembalar o instalar el producto. Si el cable de alimentación está dañado, debe ser sustituido por el fabricante, su servicio postventa o personal autorizado

para evitar cualquier daño.

No rocíe ni moje el producto. Durante el funcionamiento, mantenga el producto alejado de materiales combustibles como cortinas, muebles, etc. No coloque sobre el producto nada que no sea ropa, toallas o tejidos no inflamables.

El secatoallas debe instalarse de forma que el enchufe esté siempre accesible. El cable de alimentación nunca debe estar en contacto con el producto durante su funcionamiento.



PRECAUCIÓN - No toque nunca el producto con las manos u otra parte del cuerpo mojadas.



PRECAUCIÓN - Algunas partes de este producto podrían ponerse muy calientes y causar quemaduras. Se debe prestar atención especial cuando niños y personas vulnerables estén presentes.

Contenido

1. Especificaciones técnicas de producto.....12

2. Instalación del secatoallas Rointe.....13

2.1. Montaje.....13

2.2. Normas de conexión.....13

2.3. Reglas particulares para los cuartos de baño.....14

3. Encender y apagar.....15

4. Mantenimiento y limpieza.....15

5. Garantía.....15

6. Como registrar la garantía del producto.....17

1. Especificaciones técnicas de producto

| MOD. ANCHO 500 | BLANCO | TZOC*50B078 | TZOC*50B110 | TZOC*50B142 | TZOC*50B174 |
|-----------------------------------|--------------------|-----------------|-------------|-------------|-------------|
| | CROMO | TZOC*50C078 | TZOC*50C110 | TZOC*50C142 | TZOC*50C174 |
| | ANTRACITA | TZOC*50N078 | TZOC*50N110 | TZOC*50N142 | TZOC*50N174 |
| DIMENSIONES | | | | | |
| Anchura (mm) | | 500 | 500 | 500 | 500 |
| Altura (mm) | | 788 | 1.106 | 1.424 | 1.742 |
| Fondo (mm) | | 65 | 65 | 65 | 65 |
| Fondo instalado (mm) | | 100 | 100 | 100 | 100 |
| CARACTERÍSTICAS MECÁNICAS | | | | | |
| Resistencia de acero blindado | | ✓ | ✓ | ✓ | ✓ |
| Fluido térmico | | ✓ | ✓ | ✓ | ✓ |
| Acabado | | Blanco RAL 9016 | | | |
| | | Cromo | | | |
| | | Antracita | | | |
| CARACTERÍSTICAS ELÉCTRICAS | | | | | |
| Potencia nominal (W) | Blanco / Antracita | 300 | 500 | 750 | 1.000 |
| | Cromo | 300 | 300 | 500 | 750 |
| Voltaje (V) | | 230 V ~ | 230 V ~ | 230 V ~ | 230 V ~ |
| Corriente (A) | Blanco / Antracita | 1,3 | 2,2 | 3,4 | 4,4 |
| | Cromo | 1,3 | 1,3 | 2,2 | 3,4 |
| Clase II | | ✓ | ✓ | ✓ | ✓ |
| INSTALACIÓN Y PROTECCIÓN | | | | | |
| Kit de instalación incluido | | ✓ | ✓ | ✓ | ✓ |
| Grado de protección | | IP 55 | IP 55 | IP 55 | IP 55 |

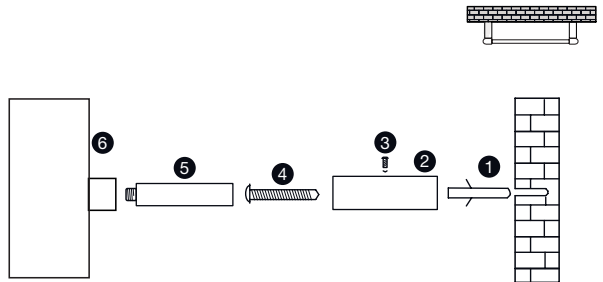
2. Instalación del secatoallas Rointe

2.1. Montaje

Dentro del embalaje encontrará un kit de instalación. Véase las instrucciones abajo:

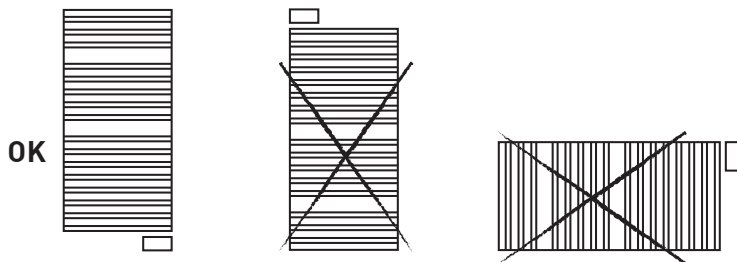
1. Seleccionar el lugar adecuado de la pared.
2. Colocar la plantilla en la pared, haciendo pequeñas marcas en los lugares donde van situados los agujeros.
3. Retirar la plantilla y hacer los agujeros.
4. Insertar los tacos en los agujeros realizados
5. Atornillar la pieza plástica de anclaje a la pared con el tornillo 6.5 x 50 mm.
6. Atornillar las dos piezas sujeta-secatoallas y la pieza plástica de fijación al tubo horizontal del secatoallas como se ve en la Figura 1 con el tornillo 8 x 26 mm.
7. Insertar el conjunto del punto 6 en la pieza plástica de anclaje y sujetar con el tornillo prisionero de 5 x 12 mm.
8. Colocar el embellecedor en la pieza sujeta-secatoallas.

| Nº. | ITEM |
|-----|------------------------|
| 1 | Taco 10 mm |
| 2 | Pieza Metálica Anclaje |
| 3 | Tornillo 2,9 x 9,5 mm |
| 4 | Tornillo 6,3 x 50 mm |
| 5 | Cilindros de Fijación |
| 6 | Secatoallas |



2.2. Normas de conexión

La conexión a la red debe efectuarse respetando la tensión indicada en la etiqueta de características técnicas del producto. Este aparato está destinado a ser permanentemente conectado a una instalación fija. El circuito de alimentación del secatoallas debe incorporar un interruptor de corte unipolar con una separación de contactos de al menos 3 mm. El aparato debe ser instalado, si es posible al abrigo de las corrientes de aire (ventanas, puertas) o de cualquier otra cosa que pudiera perturbar su regulación. Así, le aportará el mejor confort térmico. Coloque todo objeto que pueda suponer un impedimento a la circulación del aire (muebles, sillones) a 50 cm de la cara delantera del aparato. El aparato no se deberá colocar delante o justo debajo de un enchufe fijo. La parte baja de la caja de mandos debe situarse como mínimo a 15 cm del suelo. Para cualquier aparato, si el cable de alimentación está deteriorado, debe ser reemplazado por un cable específico. La sustitución del cable debe ser efectuada por el fabricante, su servicio posventa o personal cualificado. Las características técnicas de su aparato están indicadas en la etiqueta de características técnicas.

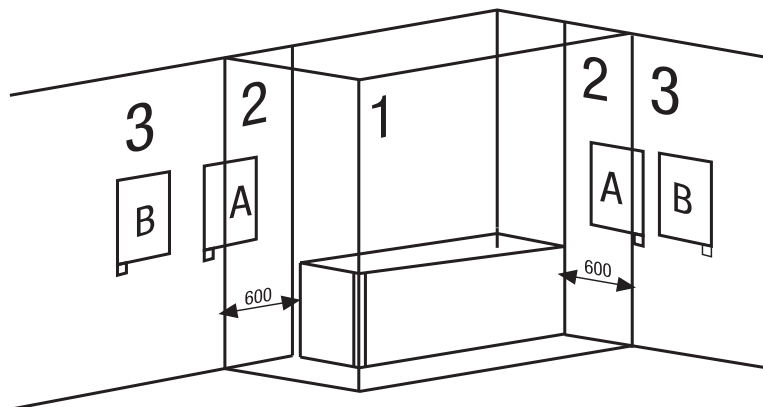


IMPORTANTE - Este aparato no debe ser instalado nunca con su caja de mandos en posición alta. El aparato vertical no debe ser utilizado horizontalmente. Durante la instalación utilice calces para evitar que la caja de los mandos apoye en el suelo.

2.3. Reglas particulares para los cuartos de baño

Este aparato es conforme con las normas de seguridad de CLASE II (doble aislamiento). Puede estar instalado en las Zonas 2 y 3, posiciones A y B siempre que se respeten las siguientes normas:

- En los cuartos de baño, el secatoallas nunca debe ser instalado de tal forma que el panel de control puedan ser alcanzado por una persona que se encuentre en la bañera o ducha. El panel de control debe estar situado a una distancia mínima de 600 mm de cualquier zona húmeda. El cuerpo del producto puede colocarse en las Zonas 2 si el panel de control se encuentra dentro de la Zona 3.
- En una cocina o cuarto de baño, el secatoallas deberá ser colocado al menos a 25 cm del suelo.



3. Encender y apagar

Para encender el producto, conectaremos el enchufe a una toma de corriente. Para apagarlo, procederemos a su desconexión de la toma.

4. Mantenimiento y limpieza

El producto no necesita ningún tipo de mantenimiento. Recomendamos la limpieza de todo el producto (parte trasera, inferior del producto, aletas superiores, etc.)

No utilice ningún producto abrasivo en el producto, límpielo con un paño húmedo y jabón pH neutro y la pantalla con un paño seco.

Normativa Europea 2012/19/UE

En base a la normativa europea 2012/19/UE de Residuos de Aparatos Eléctricos y Electrónicos (RAEE), dichos aparatos no pueden ser arrojados en los contenedores municipales habituales; tienen que ser recogidos selectivamente para optimizar la recuperación y reciclado de los componentes y materiales que los constituyen, y reducir el impacto en la salud humana y el medio ambiente.


El símbolo del cubo de basura tachado sobre barra horizontal se marca sobre todos los productos Rointe para recordar al consumidor la obligación de separarlos para la recogida selectiva.



El consumidor debe contactar con la autoridad local o con el vendedor para informarse en relación a la correcta eliminación de su aparato.

5. Garantía

En este apartado, se describen las condiciones de garantía que dispone el comprador al haber adquirido un nuevo producto de la marca Rointe. Estas condiciones reúnen todos los derechos que tiene el comprador de acuerdo con la legislación nacional vigente, así como la garantía y los derechos adicionales que ofrece la marca Rointe.

5.1. Cualquier incidencia que detecte en su producto Rointe, puede ser atendida por el vendedor del producto o de una forma más ágil a través del propio fabricante. Rointe, pone a su disposición un **TELÉFONO DE ASISTENCIA TÉCNICA (ESPAÑA) 900 103 061 (968 864 363)** donde le indicaremos los pasos a seguir para solucionar dicha incidencia. Si reside en otro país, compruebe el número de teléfono correcto en la parte posterior de este manual.

NÚMERO DE SERIE 

| | |
|---|---|
| CE IP44 |  |
| 8437007080872014442400000 1 | 230 V~ 50Hz 300 W |
| TYPE: RK6154311 REFERENCE: TZOCN45B077 MODEL: ZOCCA BASIC |  |

Necesitará la referencia de producto (ubicada en la etiqueta de características del producto), número de serie, fecha de compra y la naturaleza del fallo al contactar con nosotros para mejorar la garantía.

Además, adjuntar una copia de la factura de compra del producto.

5.2. Rointe garantiza que este producto no presenta ningún defecto material, de diseño o de fabricación en el momento de su adquisición original y durante un periodo de 24 meses (2 años) en componentes electrónicos y 120 meses (10 años) en el cuerpo de acero.

5.3. Si durante el periodo de garantía el producto no funciona correctamente con un uso normal, y sea fallo de diseño, de los materiales o de fabricación, Rointe, reparará o sustituirá el producto, según estime oportuno, según términos y condiciones establecidos a continuación:

5.3.1. La garantía sólo se facilita si presenta el certificado de garantía original emitido por el establecimiento vendedor y cuando la citada garantía este correctamente rellena incluyendo referencia de producto, número de serie (reflejado en la etiqueta de características técnicas del producto), fecha de compra y sello del vendedor.

Rointe se reserva el derecho de rechazar el servicio de garantía cuando esta información haya sido retirada o rectificadas tras la compra original del producto.

5.3.2. La garantía sólo es aplicable a aquellos casos que se refieren a defectos de material, diseño y fabricación, y en ningún caso cubre los daños al producto por los siguientes motivos:

- i) Daños causados por negligencia y/o mal uso del producto, es decir, utilizado para otros fines que no se consideren su uso normal o por no respetar las instrucciones de uso y mantenimiento dadas por ROINTE, así como la instalación o el uso incorrecto del producto que pueda no cumplir con las normas técnicas de seguridad vigentes.
- ii) La corrosión de cualquier parte del producto causada por la exposición directa al agua salada. Cuando el producto se instale a menos de 200 m de la costa, el período de garantía para los daños causados por la corrosión se reducirá en un 50%.
- iii) Cualquier modificación no autorizada o reparaciones del producto llevadas a cabo por terceros o personas no autorizadas, o la apertura del producto por terceros o personas no autorizadas.
- iv) Cualquier accidente que se considere fuera del control de ROINTE, como (pero no limitado a): rayos, incendios, inundaciones, desastres naturales, desórdenes públicos, fenómenos atmosféricos o geológicos, etc.
- v) Los fallos que resulten de una instalación incorrecta. En caso de duda, póngase en contacto con ROINTE.

5.4. El servicio técnico de Rointe le podrá asesorar si necesita comprar algún repuesto fuera del periodo de garantía.

5.5. Esta garantía no afecta a los derechos legales del comprador previstos por la legislación nacional vigente, ni los derechos del comprador contra los del distribuidor o instalador que surjan a partir del contrato de compraventa.

5.6. En ausencia de una legislación nacional vigente aplicable, esta garantía será la única protección del comprador. Rointe, sus oficinas y distribuidores e instaladores no se responsabilizarán de ningún tipo de daños, tanto fortuitos como accidentales, derivados de infringir cualquier norma implícita relacionada con este producto.

6. Cómo registrar la garantía del producto

IMPORTANTE: Es importante que registre su producto ROINTE como parte de nuestro servicio de garantía, en caso de que desee hacer una reclamación.

Puede registrar su producto ROINTE de las siguientes maneras:

WEB

1. Ve a www.rointe.com/compania/registra-tu-garantia/.
2. Ingresa a tu cuenta existente o crea una nueva cuenta si es necesario.
3. Haga clic en “Mis productos”.
4. Introduzca la referencia de su producto (alfanumérica y en mayúsculas).
5. Introduce tu número de serie (26 dígitos situados en la etiqueta metálica de tu producto y comienza con 843).
6. Sube tu prueba de compra, como la factura en formato PDF, JPEG o PNG. Esto no es obligatorio, pero al asegurarse de que tu período de garantía es exacto.
7. Haga clic en “Registro”. ¡Enhorabuena! Su producto ya está registrado.

CORREO ELECTRÓNICO

1. Envía un correo electrónico a sat@rointe.com con la siguiente información:
 - **Nombre del cliente**
 - **Dirección y código postal**
 - **Número de teléfono y dirección de correo electrónico**
 - **Referencia del producto** (alfanumérica y en mayúsculas)
 - **Número de serie** (26 dígitos situados en la etiqueta metálica de su producto y comienza con 843)
 - **La fecha de compra del producto y el comprobante de compra** (como la factura)
2. Nuestro equipo de soporte técnico confirmará el registro de su producto y solicitará cualquier información adicional necesaria por correo electrónico.

POSTAL

1. Envíe la información que figura en la sección de CORREO ELECTRÓNICO de arriba a:
 - **INDUSTRIAS ROYAL TERMIC, S.L. - ROINTE, C/E Parcela 43, 30140, Santomera (SPAIN)**
2. Por favor, asegúrese de obtener una prueba de envío.

Precauções de instalação e segurança (EN Standard 60335)

Antes de instalar o produto, ler cuidadosamente a secção “Instalação e Precauções de Segurança” para assegurar o funcionamento adequado do produto.

Precauções de instalação

O radiador foi concebido para uso doméstico ou residencial. Recomenda-se que o radiador seja instalado por um profissional autorizado. Certificar-se de que o produto está devidamente ligado a 230V.

ATENÇÃO

As crianças com menos de 3 anos de idade devem ser mantidas fora do alcance do aparelho, a menos que sejam continuamente supervisionadas. As crianças dos 3 aos 8 anos de idade só devem ligar e desligar o aparelho quando este tiver sido colocado ou instalado na sua posição normal de utilização e quando lhes tiver sido dada supervisão ou instruções relativas à utilização do aparelho de uma forma segura e compreender os perigos envolvidos. As crianças dos 3 aos 8 anos de idade não devem ligar, ajustar, limpar ou reparar o aparelho. Este aparelho pode ser utilizado por crianças a partir dos 8 anos de idade e por pessoas com capacidades físicas, sensoriais ou mentais reduzidas ou com falta de experiência e conhecimentos, se lhes tiver sido dada supervisão ou instruções relativas à utilização do aparelho de uma forma segura e compreender os perigos envolvidos. As crianças não devem brincar com o aparelho. A limpeza e a manutenção do utilizador não devem ser feitas por crianças sem supervisão. As crianças devem ser sempre supervisionadas para garantir que não interferem com o produto.

Este produto de aquecimento é enchido com uma quantidade precisa de óleo especial que não requer manutenção. As reparações que requerem a abertura do tanque de fluido térmico só devem ser efectuadas pela Rointe ou pelo seu serviço pós-venda. Os regulamentos relativos à eliminação deste fluido depois de o aparelho de aquecimento ser descartado devem ser respeitados. Se o cabo de alimentação for danificado, deve ser substituído pelo fabricante, pelo seu serviço pós-venda ou por pessoal qualificado para evitar danos.

Não cortar o cabo eléctrico em nenhuma circunstância para evitar riscos eléctricos e para assegurar o correcto funcionamento do produto.

Não ligar o seca-toalhas se notar qualquer dano externo ao desempacotar ou instalar o produto. Se o cabo de alimentação for danificado, deve ser substituído pelo fabricante, o seu serviço pós-venda ou pessoal autorizado,

a fim de evitar qualquer dano.

Não pulverizar nem molhar o produto. Durante o funcionamento, manter o produto distante de materiais combustíveis tais como cortinas, mobiliário, etc. Não colocar nada além de vestuário, toalhas ou tecidos não inflamáveis sobre o produto.

O seca-toalhas deve ser instalado de tal forma que a toma de corrente esteja sempre acessível. O cabo de alimentação nunca deve estar em contacto com o produto durante o funcionamento.



CUIDADO - Nunca tocar o produto com as mãos ou qualquer outra parte do corpo molhada.



CUIDADO - Partes deste produto podem tornar-se muito quentes e causar queimaduras. Preste especial atenção quando estão presentes crianças e pessoas vulneráveis.

Conteúdo

| | |
|--|----|
| 1. Especificações técnicas do produto | 20 |
| 2. Instalação do seca-toalhas Rointe | 21 |
| 2.1. Montagem | 21 |
| 2.2. Regras de conexão | 21 |
| 2.3. Instalação nas casas de banho | 22 |
| 4. Ligar e desligar | 23 |
| 5. Manutenção e limpeza | 23 |
| 6. Garantia..... | 23 |
| 7. Como registar a garantia do produto | 25 |

1. Especificações técnicas do produto

| MOD. LARGO 500 | BRANCO | TZOC*50B078 | TZOC*50B110 | TZOC*50B142 | TZOC*50B174 |
|----------------------------------|--------------------|-----------------|-------------|-------------|-------------|
| | CROMADO | TZOC*50C078 | TZOC*50C110 | TZOC*50C142 | TZOC*50C174 |
| | ANTRACITE | TZOC*50N078 | TZOC*50N110 | TZOC*50N142 | TZOC*50N174 |
| DIMENSÕES | | | | | |
| Largura (mm) | | 500 | 500 | 500 | 500 |
| Altura (mm) | | 788 | 1.106 | 1.424 | 1.742 |
| Profundidade (mm) | | 65 | 65 | 65 | 65 |
| Profundidade instalado (mm) | | 100 | 100 | 100 | 100 |
| CARACTERÍSTICAS MECÂNICAS | | | | | |
| Resistência do aço blindado | | ✓ | ✓ | ✓ | ✓ |
| Fluido térmico | | ✓ | ✓ | ✓ | ✓ |
| Acabamento | | Branco RAL 9016 | | | |
| | | Cromado | | | |
| | | Antracite | | | |
| CARACTERÍSTICAS ELÉTRICAS | | | | | |
| Potência nominal (W) | Branco / Antracite | 300 | 500 | 700 | 1.000 |
| | Cromado | 300 | 300 | 500 | 700 |
| Voltagem (V) | | 230 V ~ | 230 V ~ | 230 V ~ | 230 V ~ |
| Corrente (A) | Branco / Antracite | 1,3 | 2,2 | 3,0 | 4,4 |
| | Cromado | 1,3 | 1,3 | 2,2 | 3,0 |
| Classe II | | ✓ | ✓ | ✓ | ✓ |
| INSTALAÇÃO E PROTECÇÃO | | | | | |
| Kit de instalação incluído | | ✓ | ✓ | ✓ | ✓ |
| Grau de protecção | | IP 55 | IP 55 | IP 55 | IP 55 |

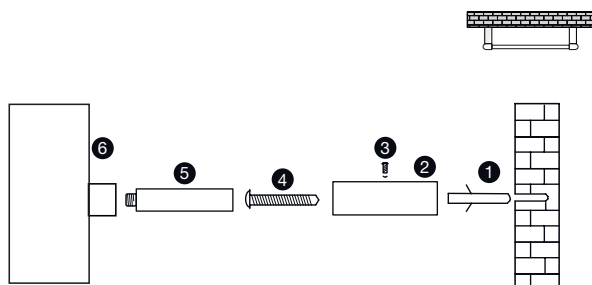
2. Instalação do seca-toalhas Rointe

2.1. Montagem

Dentro da embalagem encontrará um kit de instalação. Ver instruções abaixo:

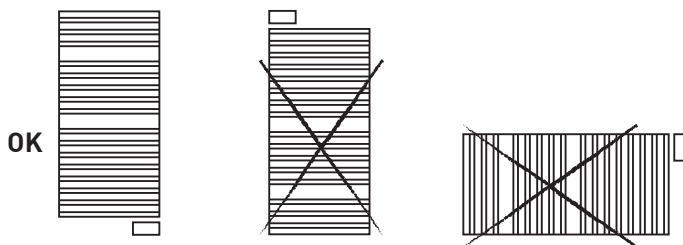
1. Seleccionar o lugar adequado na parede.
2. Colocar o molde de montagem na parede, faça pequenas marcas nos lugares onde vai colocar os realizar as furações..
3. Retire o molde de montagem e faça as furações. na parede.
4. Introduza as buchas nas furações.
5. Aparafuse as quatro peças metálicas de fixação à parede com os parafusos nº3 (ver imagem anexa).
6. Aparafuse as duas peças de fixação do seca-toalhas e a peça plástica de fixação ao tubo horizontal do seca-toalhas conforme a imagem com o parafuso nº 7.
7. Introduza o conjunto do ponto 6 na peça plástica de fixação e prenda com o parafuso nº 4.
8. Colocar o adorno na peça do fixador do seca-toalhas.

| Nº. | ITEM |
|-----|--------------------------|
| 1 | Bucha de 10 mm |
| 2 | Peça Metálica de Fixação |
| 3 | Parafuso 2,9 x 9,5 mm |
| 4 | Parafuso 6,3 x 50 mm |
| 5 | Cilindros de Fixação |
| 6 | Produto |



2.2. Regras de ligação

A ligação à rede deve ser feita em conformidade com a tensão indicada na etiqueta de dados técnicos do produto. Este dispositivo destina-se a ser permanentemente ligado a uma instalação fixa. O circuito de alimentação do seca-toalhas deve ser equipado com um disjuntor de um pólo com uma separação de contacto de pelo menos 3 mm. O aparelho deve ser instalado, se possível, numa localização que não esteja exposto a correntes de ar (janelas, portas) ou a qualquer outra coisa que possa interferir com o seu funcionamento. Isto irá proporcionar o melhor conforto térmico. Colocar qualquer objecto que possa impedir a circulação do ar (mobiliário, poltronas) a 50 cm da frente do aparelho. O aparelho não deve ser colocado em frente ou apenas debaixo de uma tomada fixa. O painel de controlo deve estar a pelo menos 15 cm do chão. Para qualquer aparelho, se o cabo de alimentação for danificado, deve ser substituído por um cabo específico. A substituição de cabos deve ser efectuada pelo fabricante, pelo seu serviço pós-venda ou por pessoal qualificado. As características técnicas do seu aparelho são indicadas na etiqueta de características técnicas.

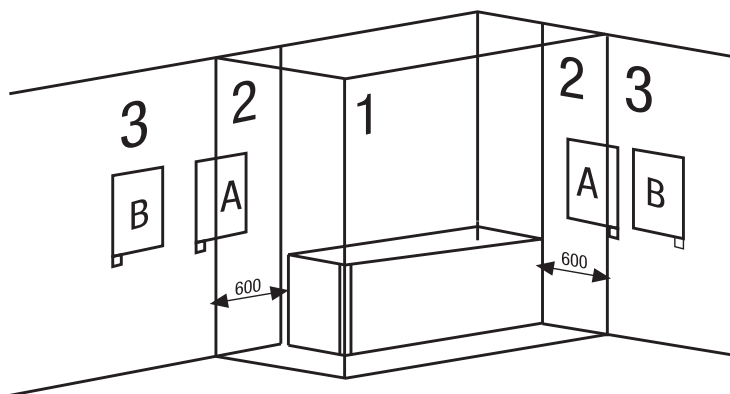


IMPORTANTE: Este aparelho não deve ser instalado com o painel de controlo para cima. O aparelho é para ser instalado em posição vertical e jamais horizontal. Durante a instalação utilize calços para evitar que o painel de controle seja apoiado no chão.

2.3. Regras instalação nas casas de banho

Este aparelho cumpre as normas de segurança da CLASSE II (duplo isolamento). Pode ser instalado nas Zonas 2 e 3, posições A e B, seguindo as seguintes regras:

- Nas casas de banho, o seca-toalhas nunca deve ser instalado de modo a que o painel de controlo possa ser alcançado por uma pessoa na banheira ou no duche. O painel de controlo deve estar situado a uma distância mínima de 600 mm de quaisquer zonas húmidas. O corpo do produto pode ser colocado nas zonas 2 se o painel de controlo estiver localizado dentro da zona 3.
- Numa cozinha ou casa de banho, o toalheiro deve ser colocado a pelo menos 25 cm do chão.



3. Ligar e desligar

Para ligar o seca-toalhas, ligar o produto a uma tomada eléctrica. Para o desligar, retiramos da tomada.

4. Manutenção e limpeza

O seca-toalhas não necessita de qualquer manutenção. Recomendamos a limpeza do produto completo (ao longo das barras, topo, baixo etc.). Não utilize nenhum produto abrasivo sobre o corpo de aço. Limpe-o com um pano húmido e sabão de pH neutro. Para a limpeza do ecrã, utilize um pano seco.

Normativa Europeia 2012/19/UE

Com base na diretiva europeia 2012/19/UE relativa aos Resíduos de Aparelhos Eléctricos e Eletrónicos (RAEE), os aparelhos em questão não podem ser deitados nos contentores municipais comuns, devendo ser recolhidos seletivamente, de modo a otimizar a recuperação e reciclagem dos componentes e materiais que os constituem e reduzindo assim o impacto na saúde humana e no meio ambiente. Todos os produtos ROINTE encontram-se assinalados com um símbolo constituído por um contentor de lixo barrado com uma cruz, de modo a recordar o consumidor da obrigação de separá-los e garantir que os mesmos sejam recolhidos seletivamente. O consumidor deve entrar em contacto com a autoridade local ou com o revendedor, a fim de se informar sobre a eliminação correta do seu aparelho.

5. Garantia

Nesta secção descrevem-se as condições de garantia de que o comprador dispõe ao adquirir um novo produto da marca Rointe. Estas condições reúnem todos os direitos do comprador de acordo com a legislação nacional vigente, bem como a garantia e todos os direitos adicionais que a marca Rointe oferece.

5.1 Se tiver de enviar o seu Radiador ROINTE para o serviço de garantia, remeta-o para o fornecedor/instalador onde o adquiriu. No caso de surgirem problemas, a ROINTE põe à sua disposição o **TELEFONE DE ASSISTÊNCIA TÉCNICA (PORTUGAL) 221 200 111**, bem como o correio eletrónico info@rointe.pt. Se vive num país diferente, por favor verifique o número de telefone correcto no verso deste manual.

NÚMERO DE
SÉRIE

| | | | |
|---|---|------|---|
| CE IP44 |  | | |
| 8437007080872014442400000 1 | 230 V~ | 50Hz | 300 W |
| TYPE: RK6154311 REFERENCE: TZOCN45B077 MODEL: ZOCCA BASIC | | |  |

Quando nos contactar, será necessário indicar a referência do produto (situada na etiqueta de características), bem como o número de série, a data de compra e uma descrição do problema. Além disso, pedimos-lhe que nos remeta uma cópia da fatura relativa à compra do produto.

5.2. A Rointe garante que este produto não apresenta nenhum defeito material de conceção ou de

fabrico no momento da sua aquisição original e dá uma garantia de 120 meses (10 anos) no que respeita no corpo de aço e de 24 meses (2 anos) nos componentes elétricos e eletrónicos.

5.3. Se, após um uso normal, o produto não funcionar corretamente dentro do período da garantia, tendo sido detetadas falhas de conceção, material ou fabrico, a ROINTE procederá ao conserto ou à substituição do produto, segundo considerar oportuno e de acordo com os termos e condições estabelecidos abaixo:

5.3.1. A garantia só é fornecida se apresentar o certificado de garantia original emitido pelo estabelecimento vendedor e quando a referida garantia for correctamente preenchida, incluindo a referência do produto, o número de série (reflectido no rótulo das características técnicas do produto), a data de compra e carimbo do vendedor.

Rointe reserva-se o direito de recusar o serviço de garantia quando esta informação tiver sido removida ou rectificadada após a compra original do produto.

5.3.2. A garantia aplica-se apenas aos casos relativos a defeitos de material, conceção ou fabrico. Em nenhum caso serão abrangidos os casos em que os danos no Radiador foram provocados por um dos seguintes motivos:

i) Danos causados por negligência e/ou má utilização do produto, ou seja, utilizado para fins diferentes do seu uso normal ou não respeitando as instruções de utilização e manutenção dadas pela ROINTE, bem como instalação ou utilização incorrecta do produto que possa não estar em conformidade com as normas técnicas de segurança em vigor.

(ii) Corrosão de qualquer parte do produto causada pela exposição directa a água salgada. Quando o produto é instalado a menos de 200 m da costa, o período de garantia para danos por corrosão será reduzido em 50%.

iii) Qualquer modificação ou reparação não autorizada do produto por um terceiro ou pessoa não autorizada, ou a abertura do produto por um terceiro ou pessoa não autorizada.

iv) Qualquer acidente considerado fora do controlo de ROINTE, como (mas não limitado a): raios, incêndios, inundações, catástrofes naturais, desordens públicas, fenómenos atmosféricos ou geológicos, etc.

v) Falhas resultantes de instalação inadequada. Em caso de dúvida, por favor contacte ROINTE.

5.4. O serviço técnico da Rointe pode aconselhá-lo se necessitar de comprar quaisquer peças sobressalentes fora do período de garantia.

5.5. Esta garantia não afecta os direitos legais do comprador ao abrigo da actual legislação nacional, nem os direitos do comprador contra os do distribuidor ou instalador decorrentes do contrato de venda.

5.6. Na ausência de legislação nacional aplicável em vigor, esta garantia será a única protecção do comprador. A Rointe, os seus escritórios e distribuidores e instaladores não serão responsáveis por quaisquer danos, acidentais ou consequentes, decorrentes da violação de quaisquer regras implícitas relativas a este produto.

6. Como registar a garantia do produto

IMPORTANTE: É importante que registre o seu produto ROINTE como parte do nosso serviço de garantia, no caso de querer fazer uma reclamação.

Pode registar o seu produto ROINTE das seguintes formas:

WEB

1. Vá a www.rointe.com/pt/registe-a-sua-garantia/.
2. Inicie sessão na sua conta existente ou crie uma nova conta se necessário.
3. Clique em **“Os Meus Produtos”**.
4. Introduza a referência do seu produto (alfanumérica e em letras maiúsculas).
5. Introduza o seu número de série (26 dígitos localizados na etiqueta metálica do seu produto começando por 84).
6. Carregue a sua prova de compra, tal como uma factura em formato PDF, JPEG ou PNG. Isto não é obrigatório, mas ao fazê-lo garante que o seu período de garantia é preciso.
7. Clique em **“Registar”**.
8. Parabéns! O seu produto está agora registado.

EMAIL

1. Enviar um e-mail para sat@rointe.com com as seguintes informações:
 - Nome do cliente
 - Endereço e código postal
 - Número de telefone e endereço de correio electrónico
 - Referência do produto
 - Número de série
 - A data de compra do produto e a prova de compra (como descrito acima na secção do WEBSITE).
2. A nossa equipa de apoio técnico confirmará o registo do produto e solicitará qualquer informação adicional requerida por correio electrónico.

POSTAL

1. Por favor envie a informação na secção EMAIL para:
 - **INDUSTRIAS ROYAL TERMIC, S.L. - Rointe C/E Parcela 43, 30140, Santomera (ESPANHA)**
2. Por favor, não se esqueça de obter uma prova de envio.

Précautions d'installation et de sécurité (normes EN 60335)

Avant d'installer l'appareil, lisez attentivement le chapitre "Consignes d'installation et de sécurité" pour vous assurer du bon fonctionnement de l'appareil.

Précautions d'installation

Ce produit est conçu pour un usage domestique ou résidentiel. Il est recommandé que le produit soit installé par un professionnel. Assurez-vous que le produit est correctement branché au 230V.

ATTENTION

Les enfants de moins de 3 ans doivent être tenus hors de portée de l'appareil, sauf s'ils sont surveillés en permanence. Les enfants âgés de 3 à 8 ans ne doivent allumer et éteindre l'appareil que lorsqu'il a été placé ou installé dans sa position d'utilisation normale et lorsqu'ils ont reçu une supervision ou des instructions concernant l'utilisation de l'appareil de manière sûre et qu'ils comprennent les risques encourus. Les enfants âgés de 3 à 8 ans ne doivent pas brancher, régler, nettoyer ou entretenir l'appareil. Cet appareil peut être utilisé par des enfants âgés de 8 ans et plus et par des personnes ayant des capacités physiques, sensorielles ou mentales réduites ou manquant d'expérience et de connaissances si elles ont été supervisées ou ont reçu des instructions concernant l'utilisation de l'appareil en toute sécurité et comprennent les risques encourus. Les enfants ne doivent pas jouer avec l'appareil. Le nettoyage et l'entretien des utilisateurs ne doivent pas être effectués par des enfants sans surveillance. Les enfants doivent être surveillés à tout moment pour s'assurer qu'ils n'interfèrent pas avec le produit.

Ce produit de chauffage est rempli d'une quantité précise d'huile spéciale sans entretien. Les réparations nécessitant l'ouverture du réservoir d'huile ne doivent être effectuées que par Rointe ou son service après-vente. Les normes concernant l'élimination d'huile après la mise au rebut de l'appareil de chauffage doivent être respectées. Si le câble d'alimentation est endommagé, il doit être remplacé par le fabricant, son service après-vente ou un personnel qualifié pour éviter tout dommage.

Ne coupez en aucun cas le câble électrique pour éviter les risques et pour assurer le bon fonctionnement du produit.

Ne branchez pas le sèche-serviettes si vous remarquez des dommages externes lors du déballage ou de l'installation du produit. Si le câble d'alimentation est endommagé, il doit être remplacé par le fabricant, son service après-vente ou le personnel autorisé afin d'éviter tout dommage.

Ne pas pulvériser ou mouiller le produit. Pendant le fonctionnement, tenez le produit éloigné des matériaux combustibles tels que les rideaux, les meubles, etc. Ne placez rien d'autre que des vêtements, des serviettes ou des tissus ininflammables sur le produit.

Le sèche-serviettes doit être installé de manière à ce que la prise de courant soit toujours accessible. Le câble d'alimentation ne doit jamais être en contact avec le produit pendant son fonctionnement.



AVERTISSEMENT - Ne touchez jamais le produit avec les mains ou toute autre partie du corps mouillée.



AVERTISSEMENT - Certaines parties de ce produit peuvent devenir très chaudes et causer des brûlures. Une attention particulière devrait être accordée lorsque des enfants et des personnes vulnérables sont présents.

Contenu

| | |
|--|----|
| 1. Spécifications techniques du produit | 28 |
| 2. Installation d'un sèche-serviettes Rointe | 29 |
| 2.1. Montage | 29 |
| 2.2. Instructions de connexion | 29 |
| 2.3. Règles particulières pour les salles de bains | 30 |
| 3. Mise en marche et arrêt | 31 |
| 4. Entretien et nettoyage | 31 |
| 5. Garantie | 31 |
| 6. Comment enregistrer la garantie du produit | 33 |

1. Spécifications techniques du produit

| MOD. LARGEUR 500 | BLANC | TZOC*50B078 | TZOC*50B110 | TZOC*50B142 | TZOC*50B174 |
|-------------------------------------|-------------------|----------------|-------------|-------------|-------------|
| | CHROME | TZOC*50C078 | TZOC*50C110 | TZOC*50C142 | TZOC*50C174 |
| | ANTRACITE | TZOC*50N078 | TZOC*50N110 | TZOC*50N142 | TZOC*50N174 |
| DIMENSIONS | | | | | |
| Largeur (mm) | | 500 | 500 | 500 | 500 |
| Hauteur (mm) | | 788 | 1.106 | 1.424 | 1.742 |
| Profondeur (mm) | | 65 | 65 | 65 | 65 |
| Profondeur produit installé (mm) | | 100 | 100 | 100 | 100 |
| CARACTÉRISTIQUES MÉCANIQUES | | | | | |
| Élément chauffant d'acier blindé | | ✓ | ✓ | ✓ | ✓ |
| Fluide caloporteur | | ✓ | ✓ | ✓ | ✓ |
| Finition | | Blanc RAL 9016 | | | |
| | | Chrome | | | |
| | | Antracite | | | |
| CARACTÉRISTIQUES ÉLECTRIQUES | | | | | |
| Puissance nominale (W) | Blanc / Antracite | 300 | 500 | 700 | 1.000 |
| | Chrome | 300 | 300 | 500 | 700 |
| Voltage (V) | | 230 V ~ | 230 V ~ | 230 V ~ | 230 V ~ |
| Courrant (A) | Blanc / Antracite | 1,3 | 2,2 | 3,0 | 4,4 |
| | Chrome | 1,3 | 1,3 | 2,2 | 3,0 |
| Class II | | ✓ | ✓ | ✓ | ✓ |
| INSTALLATION ET PROTECTION | | | | | |
| Kit d'installation inclus | | ✓ | ✓ | ✓ | ✓ |
| Indice de protection | | IP 55 | IP 55 | IP 55 | IP 55 |

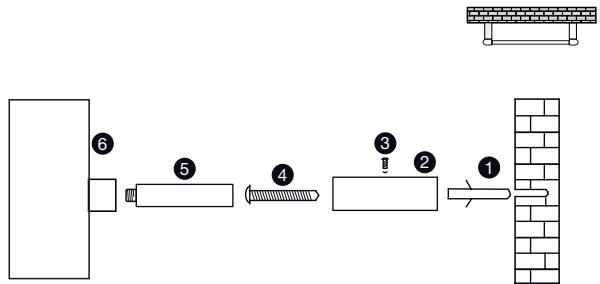
2. Installation du sèche-serviettes

2.1. Montage

A l'intérieur de l'emballage se trouve un gabarit de pose.

1. Choisir l'emplacement où fixer le sèche-serviettes au mur.
2. Positionner le gabarit de pose contre le mur et marquer les trous à l'aide d'un crayon.
3. Retirer le gabarit de pose et faire les trous au mur.
4. Insérer les chevilles dans les trous.
5. Visser au mur la pièce d'ancrage en plastique avec les vis n° 3 de l'image jointe.
6. Visser les deux pièces accroche- sèche-serviettes et la pièce en plastique de fixation au tube horizontal du sèche-serviettes comme sur la figure 1 avec la vis n° 7.
7. Insérer l'ensemble du point 6 dans la pièce d'ancrage en plastique et tenir avec la vis conique n°4 (voir image jointe).
8. Poser l'embellisseur sur la pièce qui tient le sèche-serviettes.

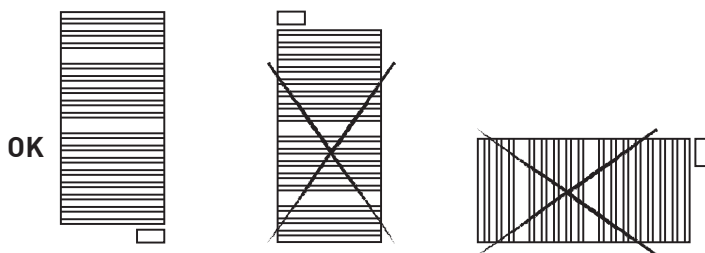
| N°. | ITEM |
|-----|----------------------------|
| 1 | 10 mm cheville |
| 2 | Pièce métallique d'ancrage |
| 3 | Vis 2,9 x 9,5 mm |
| 4 | Vis 6,3 x 50 mm |
| 5 | Cylindres de fixation |
| 6 | Produit |



2.2. Instructions de connexion

Le branchement au réseau doit être effectué conformément à la tension indiquée sur l'étiquette des données techniques du produit. Ce dispositif est destiné à être connecté en permanence à une installation fixe. Le circuit d'alimentation du sèche-serviettes doit être équipé d'un disjoncteur unipolaire avec une séparation des contacts d'au moins 3 mm. L'appareil doit être installé, si possible, dans un endroit non exposé aux courants d'air (fenêtres, portes) ou à tout autre élément susceptible de gêner son fonctionnement.

Cela permettra d'obtenir le meilleur confort thermique. Placez tout objet susceptible d'entraver la circulation de l'air (meubles, fauteuils) à 50 cm de l'appareil. L'appareil ne doit pas être placé devant ou juste sous une prise de courant fixe. Le fond du boîtier de contrôle doit se trouver à 15 cm du sol. Pour tout appareil, si le câble d'alimentation est endommagé, il doit être remplacé par un câble spécifique. Le remplacement des câbles doit être effectué par le fabricant, son service après-vente ou un personnel qualifié. Les caractéristiques techniques de votre appareil sont indiquées sur l'étiquette des caractéristiques techniques.

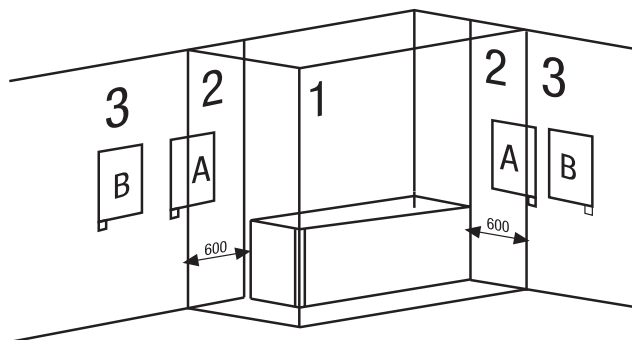


IMPORTANT - Cet appareil ne doit jamais être installé avec son boîtier de commande en position haute. L'appareil ne doit pas être utilisé horizontalement. Utilisez des cales lors de l'installation pour éviter que le boîtier de commande ne repose sur le sol.

2.3. Règles particulières pour les salles de bains

Cet appareil est conforme aux normes de sécurité de la CLASSE II (double isolation). Il peut être installé dans les zones 2 et 3, positions A et B, selon les règles suivantes:

- Dans les salles de bains, le sèche-serviettes ne doit jamais être installé de manière à ce que le panneau de commande puisse être atteint par une personne dans la baignoire ou la douche. Le panneau de contrôle doit être situé à une distance minimale de 600 mm de toute zone humide. Le corps du produit peut être placé dans la zone 2 si le panneau de contrôle est situé dans la zone 3.
- Dans une cuisine ou une salle de bains, le porte-serviettes doit être placé à au moins 25 cm du sol.



3. Mise en marche et arrêt

Pour allumer le produit, il faut le brancher sur une prise de courant. Pour l'éteindre, nous allons procéder à la déconnexion de la prise de courant.

4. Entretien et nettoyage

Le sèche-serviettes n'a pas besoin d'entretien. Nous recommandons un nettoyage sur tout le produit (partie postérieure, les rails...). N'utilisez pas de produits abrasifs sur le produit. Nettoyez-le avec un chiffon humide et du savon pH neutre et l'écran avec un chiffon sec.

Règlement européen 2012/19/UE

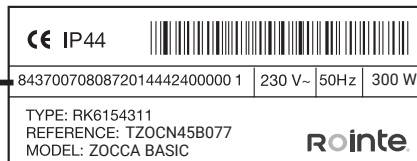
Selon le règlement européen 2012/19/UE sur les déchets d'équipements électriques et électroniques (DEEE), ces équipements ne peuvent pas être éliminés dans les conteneurs municipaux normaux ; ils doivent être collectés séparément afin d'optimiser la récupération et le recyclage de leurs composants et matériaux et de réduire l'impact sur la santé humaine et l'environnement. Le symbole de la poubelle barrée est apposé sur tous les produits Rointe pour rappeler au consommateur l'obligation de les séparer pour une collecte séparée. Le consommateur doit contacter l'autorité locale ou le détaillant pour obtenir des informations concernant l'élimination appropriée de son appareil.

5. Garantie

Cette section décrit les conditions de garantie offertes à l'acheteur lors de l'achat d'un nouveau produit de la marque Rointe. Ces conditions réunissent tous les droits dont dispose l'acheteur selon la législation nationale en vigueur, ainsi que la garantie et les droits supplémentaires offerts par la marque Rointe.

5.1 Tout incident détecté sur votre produit peut être suivi par le vendeur du produit ou de manière plus agile par le fabricant. met à votre disposition un **TÉLÉPHONE D'ASSISTANCE TECHNIQUE (FRANCE) 01 73 05 70 01** où nous vous indiquerons les étapes à suivre pour résoudre cet incident. Si vous vivez dans un autre pays, veuillez vérifier le numéro de téléphone correct au dos de ce manuel.

NUMÉRO DE SÉRIE



Vous aurez besoin de la référence du produit (située sur l'étiquette des caractéristiques du produit), du numéro de série, de la date d'achat et de la nature du défaut lorsque vous nous contacterez pour améliorer la garantie. De plus, joignez une copie de la facture d'achat du produit.

5.2. Rointe garantit que ce produit est exempt de tout défaut de matériau, de conception ou de

fabrication au moment de l'achat initial et pour une période de 120 mois pour le corps d'acier.

5.3. Si, pendant la période de garantie, le produit ne fonctionne pas correctement dans des conditions normales d'utilisation et qu'il s'agit d'un défaut de conception, de matériau ou de fabrication, Rointe réparera ou remplacera, à sa convenance, le produit conformément aux termes et conditions énoncés ci-dessous:

5.3.1. La garantie n'est accordée que si vous présentez le certificat de garantie original délivré par le concessionnaire et si la garantie est correctement remplie, y compris la référence du produit, le numéro de série (indiqué sur l'étiquette des caractéristiques techniques du produit), la date d'achat et le sceau du concessionnaire.

Rointe se réserve le droit de refuser le service de garantie lorsque ces informations ont été retirées ou rectifiées après l'achat initial du produit.

5.3.2. La garantie ne s'applique qu'en cas de défauts de matériel, de conception ou de fabrication, en aucun cas elle ne couvre les dommages au sèche-serviettes pour les raisons suivantes:

5.3.2.1. Utilisation incorrecte du produit, à des fins autres que normales ou pour non-respect des instructions d'utilisation et d'entretien données par Rointe, ainsi que l'installation ou l'utilisation du produit d'une manière non conforme aux normes techniques de sécurité en vigueur. Réparations non autorisées effectuées par du personnel non autorisé ou ouverture du sèche-serviettes par des personnes non autorisées. Accidents imprévus indépendants de la volonté d'Rointe, tels que foudre, incendie, inondation, désordre public, etc.

5.3.2.2. Les réparations ou remplacements couverts par cette garantie ne prolongent ni ne redémarrent la période de garantie.

5.3.2.3. Les réparations ou remplacements couverts par cette garantie doivent être effectués avec des unités fonctionnellement équivalentes. Les pièces défectueuses ou les pièces enlevées ou remplacées deviennent la propriété de Rointe.

5.4. Le service technique de Rointe pourra vous conseiller si vous avez besoin d'acheter des pièces de rechange en dehors de la période de garantie.

5.5. Cette garantie n'affecte pas les droits légaux de l'acheteur en vertu du droit national applicable, ni les droits de l'acheteur contre ceux du distributeur ou de l'installateur découlant du contrat de vente.

5.6. En l'absence de législation nationale en vigueur, cette garantie est la seule protection de l'acheteur. Rointe, ses bureaux et ses distributeurs et installateurs ne sont pas responsables des dommages de quelque nature que ce soit, accessoires ou consécutifs, résultant d'une violation d'une règle implicite relative à ce produit.

6. Comment enregistrer la garantie de votre produit

IMPORTANT: Il est important que vous enregistriez votre produit ROINTE dans le cadre de notre service de garantie, au cas où vous souhaiteriez faire une réclamation.

Vous pouvez enregistrer votre produit ROINTE de la manière suivante:

WEB

1. Consultez le site www.rointe.com/fr/enregistrez-votre-garantie/.
2. Connectez-vous à votre compte existant ou créez un nouveau compte si nécessaire.
3. Cliquez sur "Mes produits".
4. Saisissez la référence de votre produit (en alphanumérique et en majuscules).
5. Saisissez votre numéro de série (26 chiffres situés sur l'étiquette métallique de votre produit).
6. Téléchargez votre preuve d'achat, telle qu'une facture sous format PDF, JPEG ou PNG. Ce n'est pas obligatoire, mais cela permet de garantir l'exactitude de votre période de garantie.
7. Cliquez sur "Enregistrement".
8. **Félicitations ! Votre produit est maintenant enregistré.**

EMAIL

1. Envoyez un courriel à rointe@rointe.fr avec les informations suivantes:
 - **Nom du client**
 - **Adresse et code postal**
 - **Numéro de téléphone et adresse électronique**
 - **Référence du produit**
 - **Numéro de série**
 - **La date d'achat du produit et la preuve d'achat (comme décrit dans la section du site web ci-dessus).**
2. Notre équipe de support technique confirmera l'enregistrement du produit et demandera toute information supplémentaire requise par courrier électronique.

COURRIER

1. Envoyez les informations demandées dans la section EMAIL à:
 - **INDUSTRIAS ROYAL TERMIC, S.L. - ROINTE, C/E Parcela 43, 30140, Santomera (SPAIN)**
2. Veillez à obtenir une preuve d'expédition.

Installatie- en veiligheidsmaatregelen (EN 60335-normen)

Lees voordat u het product inschakelt eerst de "installatie- en veiligheidsmaatregelen" zorgvuldig om er zeker van te zijn dat het product correct werkt.

Vorzorgsmaatregelen bij de installatie

Het product is ontworpen voor huishoudelijk of residentieel gebruik. U wordt geadviseerd om het product te laten installeren door een professionele installateur. Zorg ervoor dat het product correct is aangesloten op 230v en is geaard.

LET OP

Kinderen jonger dan 3 jaar moeten buiten het bereik van het apparaat worden gehouden, tenzij zij voortdurend onder toezicht staan. Kinderen tussen 3 en 8 jaar mogen het toestel alleen in- en uitschakelen wanneer het in de normale gebruiksstand is geplaatst of geïnstalleerd en wanneer zij onder toezicht staan of instructies hebben gekregen over hoe zij het toestel veilig kunnen gebruiken en de risico's ervan begrijpen. Kinderen tussen 3 en 8 jaar mogen het toestel niet aansluiten, afstellen, schoonmaken of onderhouden. Dit apparaat kan worden gebruikt door kinderen van 8 jaar en ouder en door personen met verminderde lichamelijk, zintuiglijke of geestelijke vermogens of gebrek aan ervaring en kennis, mits ze onder toezicht staan of instructies hebben gekregen over hoe het apparaat op een veilige manier gebruikt kan worden en ze de gevaren ervan begrijpen. Kinderen mogen niet met het apparaat spelen. Reiniging en gebruikersonderhoud mogen niet zonder toezicht door kinderen worden uitgevoerd. Kinderen moeten te allen tijde onder toezicht staan om ervoor te zorgen dat ze het product niet hinderen. Dit product is gevuld met een precieze hoeveelheid speciale olie die geen onderhoud nodig heeft. Alle reparaties waarbij het openen van de olietank vereist is, mogen alleen worden uitgevoerd door een officiële rointe-installateur of diens klantenservicepersoneel, die ook op de hoogte moeten worden gebracht indien een olielekage wordt opgemerkt.

De voorschriften voor het weggooien van olie bij het weggooien van de kachel moeten in acht worden genomen. Als de voedingskabel beschadigd is, moet deze worden vervangen door de fabrikant, diens klantenservice of geautoriseerd personeel om schade te voorkomen. Snijd de elektrische kabel in geen geval door om risico's te vermijden en de goede werking van het product te garanderen.

Sluit de handdoekverwarmer niet aan als u bij het uitpakken of installeren van het product uitwendige schade constateert. Als het netsnoer beschadigd

is, moet het worden vervangen door de fabrikant, zijn servicedienst of bevoegd personeel om schade te voorkomen.

Het product niet sproeien of nat maken. Houd het product tijdens het gebruik uit de buurt van brandbare materialen zoals gordijnen, meubels, enz. Plaats geen andere voorwerpen dan niet-ontvlambare kleding, handdoeken of stoffen op het product.

De handdoekverwarmer moet zo worden geïnstalleerd dat het stopcontact altijd bereikbaar is. Het netsnoer mag tijdens het gebruik nooit in contact komen met het product.



LET OP - Raak het product nooit aan met natte handen of andere natte delen van het lichaam.



LET OP - Delen van dit product kunnen zeer heet worden en brandwonden veroorzaken. Bijzondere aandacht moet worden besteed aan de aanwezigheid van kinderen en kwetsbare personen.

Inhoud

| | |
|---|----|
| 1. Technischespecificaties(modellen450,500en550)..... | 36 |
| 2. Installatie van Rointe handdoekrekken..... | 37 |
| 2.1. Montage-instructies..... | 37 |
| 2.2. Aansluitinstructies..... | 37 |
| 2.3. Specifieke voorschriften voor badkamers..... | 38 |
| 3. In- en uitschakelen..... | 39 |
| 4. Onderhoud en reiniging..... | 39 |
| 5. Garantie..... | 39 |
| 6. Hoe u uw productgarantie registreert..... | 41 |

1. Technische specificaties

| MOD. - Breedte 500 | WIT | TZOC*50B078 | TZOC*50B110 | TZOC*50B142 | TZOC*50B174 |
|--|-----------------|--------------|-------------|-------------|-------------|
| | CHROOM | TZOC*50C078 | TZOC*50C110 | TZOC*50C142 | TZOC*50C174 |
| | ANTRACITE | TZOC*50N078 | TZOC*50N110 | TZOC*50N142 | TZOC*50N174 |
| AFMETINGEN | | | | | |
| Breedte (mm) | | 500 | 500 | 500 | 500 |
| Hoogte zonder bedieningspaneel (mm) | | 788 | 1.106 | 1.424 | 1.742 |
| Diepte (mm) | | 65 | 65 | 65 | 65 |
| Geïnstalleerde diepte (mm) | | 100 | 100 | 100 | 100 |
| MECHANISCHE EIGENSCHAPPEN | | | | | |
| Verwarmingselement van roestvrij staal | | ✓ | ✓ | ✓ | ✓ |
| Thermische vloeistof | | ✓ | ✓ | ✓ | ✓ |
| Afwerking | | Wit RAL 9016 | | | |
| | | Chroom | | | |
| | | Antracite | | | |
| ELEKTRISCHE EIGENSCHAPPEN | | | | | |
| Nominaal vermogen (W) | Wit / Antracite | 300 | 500 | 700 | 1.000 |
| | Chroom | 300 | 300 | 500 | 700 |
| Spanning (V) | | 230 V ~ | 230 V ~ | 230 V ~ | 230 V ~ |
| Stroomsterkte (A) | Wit / Antracite | 1,3 | 2,2 | 3,0 | 4,4 |
| | Chroom | 1,3 | 1,3 | 2,2 | 3,0 |
| Klasse II | | ✓ | ✓ | ✓ | ✓ |
| VEILIGHEID & INSTALLATIE | | | | | |
| Inclusief montageset | | ✓ | ✓ | ✓ | ✓ |
| Beschermingsklasse | | IP 55 | IP 55 | IP 55 | IP 55 |

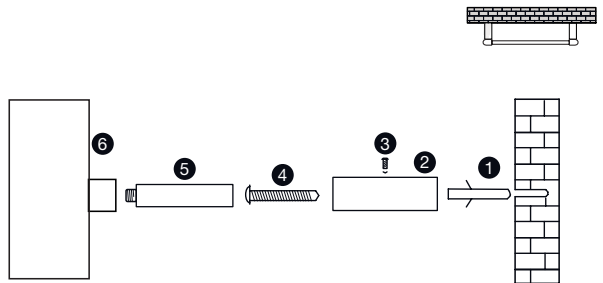
2. Installatie van Rointe handdoekrekken

2.1. Montage-instructies

In de verpakking vindt u een bevestigingsset. Hieronder vindt u de instructies:

1. Kies het juiste deel van de muur.
2. Plaats het montagesjabloon op de muur en markeer de plaatsen voor de gaten.
3. Verwijder het sjabloon en maak de gaten in de muur.
4. Steek de rawpluggen in de gemaakte gaten.
5. Schroef de kunststof sluiting met de 5,5 x 50 mm schroef aan de muur vast.
6. Schroef de twee beugels voor het ondersteunen van het product en de plastic sluiting aan de Horizontale buis van het product zoals in figuur 1 met de 8 x 26 mm schroef.
7. Steek wat u in sectie 6 hebt geassembleerd in het plastic stuk. Goed vastzetten met de 5 x 12 mm schroef.
8. Plaats de hoes op het stuk dat het product ondersteunt.

| Nº. | ITEM |
|-----|---------------------|
| 1 | 10 x 40 mm Rawplug |
| 2 | Beugel |
| 3 | 5,5 x 50 mm schroef |
| 4 | 5 x 12 mm schroef |
| 5 | Beugel |
| 6 | Beugelkop |



2.2. Aansluitinstructies

Bij de aansluiting op het elektriciteitsnet moet rekening worden gehouden met de spanning die staat vermeld op het technische gegevenslabel van het product.

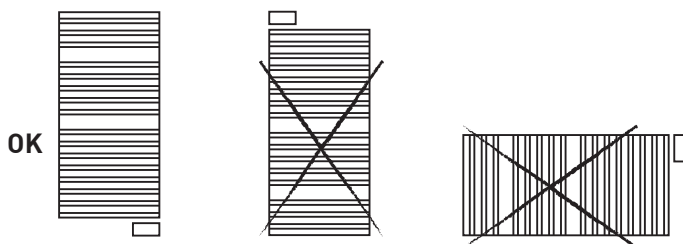
Dit product is ontworpen om permanent te worden geïnstalleerd in verbinding met vaste voorzieningen. Het voedingscircuit van het product moet een meerpulige stroomonderbreker hebben met een afstand van minimaal 3 mm tussen de contacten.

Het product moet, indien mogelijk, worden geïnstalleerd uit de buurt van tochtbronnen (ramen, deuren) of andere zaken die de werking ervan kunnen beïnvloeden. Op deze manier wordt de temperatuur niet beïnvloed. Plaats voorwerpen die de luchtstroom kunnen verhinderen (meubels, fauteuils) op 50 cm afstand van de voorkant van het product.

Het product mag nooit direct onder een stopcontact worden geïnstalleerd.

Het onderste deel van het bedieningspaneel moet minimaal 15 cm van de vloer worden geplaatst. Als de voedingskabel beschadigd is, moet deze voor elk product worden vervangen door een specifieke kabel. De vervanging van de kabel moet worden gedaan door de fabrikant, diens klantenservice

of gekwalificeerd personeel. De technische specificaties van uw product staan op het technische gegevenslabel.

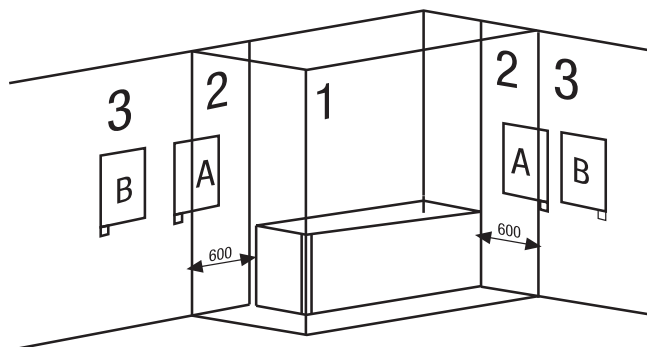


BELANGRIJK - Dit product mag nooit worden geïnstalleerd met het bedieningspaneel aan de bovenzijde. Dit product mag niet horizontaal worden geïnstalleerd. Gebruik bij de installatie wiggen zodat het bedieningspaneel niet in contact komt met de vloer.

2.3. Specifieke voorschriften voor badkamers

Dit toestel voldoet aan de veiligheidsnormen van KLASSE II (dubbele isolatie). Hij kan worden geïnstalleerd in zone 2 en 3, posities A en B, volgens de onderstaande regels:

- In badkamers mag de handdoekbeugel nooit zo worden geïnstalleerd dat het bedieningspaneel kan worden bereikt door een persoon in de badkuip of douche. Het bedieningspaneel moet zich op een afstand van minimaal 600 mm van elke natte zone bevinden. De romp van het product mag in zone 2 worden geplaatst als het bedieningspaneel zich in zone 3 bevindt.
- In een keuken of badkamer moet de handdoekbeugel ten minste 25 cm boven de vloer worden geplaatst.



3. In- en uitschakelen

Om het product aan te zetten, steekt u de stekker in het stopcontact. Om het uit te schakelen, gaan we over tot het loskoppelen van het stopcontact.

4. Onderhoud en reiniging

Het product heeft geen onderhoud nodig. We raden aan om alle onderdelen van het product schoon te houden (achter, onder, bovenste vinnen, enz.). Gebruik geen schuurmiddel op de stalen behuizing. Maak het schoon met een vochtige doek en een ph-neutrale zeep, en het bedieningspaneel met een droge doek.

Europese richtlijn 2012/19/EU

Volgens de Europese richtlijn 2012/19/EU betreffende afgedankte elektrische en elektronische apparatuur (aeea) mag het product niet in de gebruikelijke gemeentelijke afvalbakken en containers worden afgevoerd.

Ze moeten worden gescheiden om de terugwinning en recycling van alle componenten en materialen te optimaliseren en de impact op de menselijke gezondheid en het milieu te verminderen.

Het symbool van de container die over een horizontale lijn is doorgesneden, is op alle Rointe-producten aangebracht om de consument eraan te herinneren dat ze bij verwijdering gescheiden moeten worden gehouden.




De consument dient contact op te nemen met de lokale overheid of het oorspronkelijke verkooppunt voor meer informatie over de juiste verwijdering van dit product.

5. Garantie

In deze sectie beschrijven we hierbij de garantievoorwaarden die de koper verwerft bij aankoop van een nieuw Rointe-product. Deze voorwaarden zijn in overeenstemming met alle rechten die zijn uitgelegd in de geldende nationale wetgeving, evenals alle aanvullende rechten en garanties die door Rointe worden geboden.

5.1. Elk incident dat u in uw Rointe-product ontdekt, kan door de productverkoper of snel door de fabrikant worden opgelost. Neem voor technische ondersteuning contact op met Rointe door te bellen naar **(NEDERLAND) 010 742 00 46**. Als u in een ander land woont, raadpleeg dan het juiste telefoonnummer op de achterkant van deze handleiding.

SERIENUMMER

| | | | | |
|--|--|---|------|---|
|  IP44 | |  | | |
| 8437007080872014442400000 1 | | 230 V~ | 50Hz | 300 W |
| TYPE: RK6154311 REFERENCE: TZOCN45B077 MODEL: ZOCCA BASIC | | | |  |

U moet de productreferentie (op het etiket met productkenmerken), het serienummer, het aankoopbewijs en het soort incident vermelden wanneer u contact met ons opneemt, zodat we de garantie kunnen controleren. Voeg bovendien een kopie van de productfactuur toe.

5.2. Rointe garandeert dat er geen materiële gebreken zijn in het ontwerp of de fabricage op het moment van de oorspronkelijke aanschaf en geeft garantie op de stalen behuizing voor een periode van 120 maanden en 24 maanden voor alle elektronische en elektrische componenten.

5.3. Als het product tijdens de garantieperiode niet correct werkt bij normaal gebruik en er een ontwerp-, materiaal- of fabricagefout wordt geconstateerd, zal Rointe het product repareren of vervangen naar eigen inzicht, in overeenstemming met de algemene voorwaarden als volgt:

5.3.1. De garantie is alleen van toepassing als de originele garantie is afgegeven door de verkoper en deze garantie correct is ingevuld inclusief productreferentie, serienummer (aangegeven op het productlabel met daarop de technische kenmerken), aankoopdatum en de stempel van de verkoper.

Rointe behoudt zich het recht voor om de garantieservice te weigeren wanneer deze informatie is verwijderd of gewijzigd na de oorspronkelijke aankoop van het product.

5.3.2. De garantie is alleen van toepassing op die gevallen die betrekking hebben op materiaal-, ontwerp- en fabricagefouten, en dekt in geen geval schade aan het product om de volgende redenen:

5.3.2.1 Onjuist gebruik van het product, d.w.z. gebruikt voor andere doeleinden die niet worden opgevat als normaal gebruik of voor het niet respecteren van de gebruiksinstructies en onderhoud instructies gegeven door Rointe, evenals onjuiste installatie of gebruik van het product dat mogelijk niet voldoet aan de huidige technische veiligheidsnormen.

Corrosie veroorzaakt door directe blootstelling aan zout water valt niet onder de garantie. Als het product niet verder dan 200 meter van de kust wordt geïnstalleerd, wordt de garantie voor schade veroorzaakt door corrosie met 50% verminderd.

5.3.2.2 Ongeautoriseerde reparaties uitgevoerd door ongeautoriseerde technici of het openen van het product door ongeautoriseerde mensen.

5.3.2.3 Alle ongevallen die geacht worden buiten de controle van Rointe te vallen, zoals blikseminslag, branden, overstromingen, openbare onrust, enz. 6.3.3. Eventuele reparaties of vervangingen die onder deze garantie vallen, staan geen aanvullingen of nieuwe garantietermijnen toe.

5.3.4. Alle reparaties of vervangingen die onder deze garantie vallen, moeten onderdelen zijn die functioneel gelijkwaardig zijn. De defecte onderdelen of onderdelen die zijn verwijderd of vervangen, worden eigendom van Rointe.

5.4. De technische dienst van Rointe zal u adviseren als u onderdelen moet kopen die niet onder de garantie of buiten de garantie vallen.

5.5. Deze garantie heeft geen invloed op de wettelijke rechten van de koper zoals bepaald in de huidige nationale wetgeving, noch op die rechten jegens de distributeur of installateur die naar voren zouden kunnen komen in overeenstemming met het koopcontract.

5.6. Bij gebrek aan toepasselijke nationale wetgeving, prevaleert deze garantie en kan deze worden opgevat als de enige bescherming van de koper. Rointe, diens kantoren, distributeurs en installateurs kunnen niet verantwoordelijk worden gehouden voor eventuele accidentele schade die ontstaat als gevolg van overtreding van regels die impliciet verband houden met dit product.

6. Hoe u uw productgarantie registreert

BELANGRIJK: het is belangrijk om uw ROINTE-product te registreren als onderdeel van onze garantieservice, voor geval u een claim wilt indienen.

U kunt uw ROINTE-product op de volgende manieren registreren:

WEBSITE

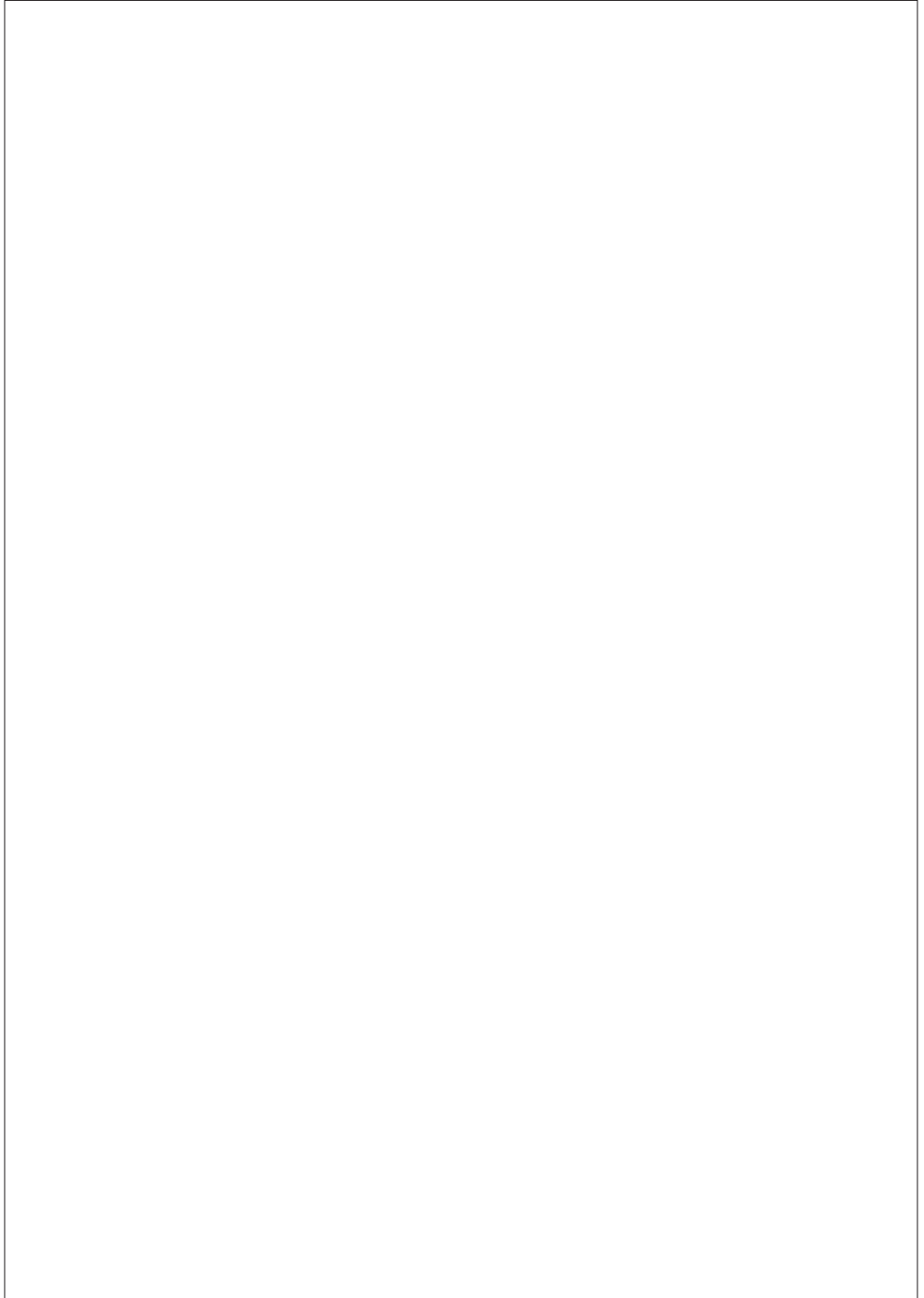
1. Ga naar <https://rointe.com/nl/uw-garantie-registreren/>.
2. Log in op uw bestaande account of maak een nieuwe account aan als dat nodig is.
3. Klik op "Mijn producten".
4. Voer uw productreferentie in (alfanumeriek en in hoofdletters)
5. Voer uw serienummer in (26 cijfers op het metalen plaatje op uw product en begint met 843).
6. Upload uw aankoopbewijs, zoals factuur in pdf-, jpeg- of png-indeling. Dit is niet verplicht, maar hierdoor zorgt u ervoor dat uw garantieperiode klopt.
7. Klik op "Registreren".
8. **Gefeliciteerd! Uw product is nu geregistreerd.**

EMAIL

1. Stuur een e-mail naar verkoop@rointe.com met de volgende informatie:
 - **Klantnaam**
 - **Adres en postcode**
 - **Telefoonnummer en e-mailadres**
 - **Productreferentie (zoals hierboven beschreven)**
 - **Serienummer (zoals hierboven beschreven)**
 - **Aankoopdatum van het product en aankoopbewijs (zoals hierboven beschreven)**
2. Ons technische ondersteuningsteam bevestigt uw productregistratie en vraagt om enige aanvullende informatie via e-mail.

POST

1. Post de informatie zoals in het gedeelte EMAIL hierboven naar:
 - **INDUSTRIAS ROYAL TERMIC, S.L. t/a Rointe, C/E Parcela 43, 30140, Santomera (SPANJE)**
2. Zorg ervoor dat u een bewijs van verzending vraagt.



A large, empty rectangular box with a thin black border, occupying most of the page. It is intended for the user to write their notes.

Rointe United Kingdom

Hampton Business Park, Club Way,
Peterborough PE7 8JA
T. 0203 321 5928

Rointe Ireland

Blackrock, County Louth
T. 01 553 0523

Rointe España & Portugal

P.I. Vicente Antolinos - C/ E, p. 43, 30140 Murcia
T. (ES) 900 103 061 / T. (PT) 221 200 114

Rointe France

6 Rue Duret, 75116 Paris
T. 01 73 05 70 01

Rointe Nederland

3197 LG Botlek, RT
T. 010 742 00 46

Copyright © Rointe Heating 2020.

All rights reserved. As part of our policy of continuous improvement, we reserve the right to alter or modify any product or specifications without prior notice. This also applies to products that have already been ordered, provided that such alterations can be made without subsequent changes to the already agreed specifications. We cannot accept responsibility for any errors in catalogues or other printed materials.

IMZSBMU21V5-BAS

